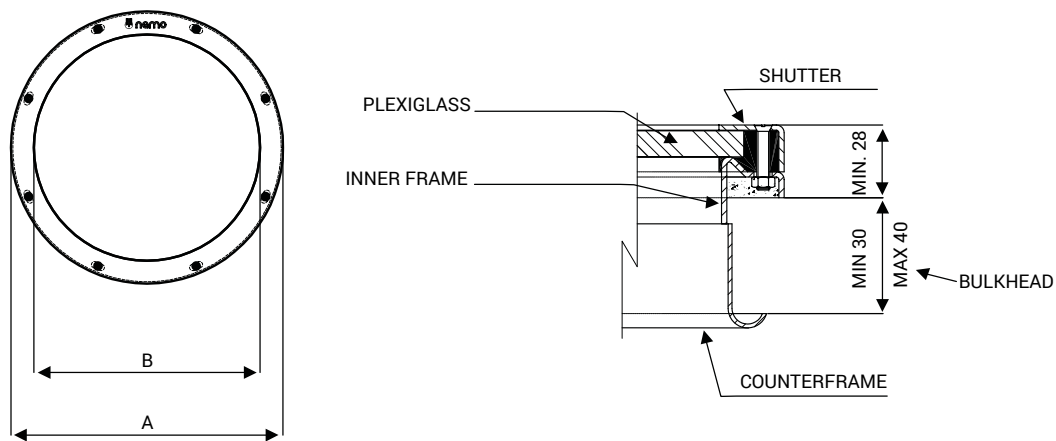


>> Stainless Steel Portlight - round fixed window. Technical data.



ROUND FIXED PORTLIGHT

PORTLIGHT CODE	OVERALL DIMENSIONS	CUT-OUT SIZE	CLEAR GLASS SIZE
	A	B	
218.835	192	154	144
218.838	250	211	202
218.840	297	257	249
218.455	347	307	299

Portlights are supplied complete with standard outer frame for 30 to 40 mm bulkhead thickness; customised outer frames for other bulkhead thicknesses should be ordered directly from Nemo.

NEMO INDUSTRIE S.p.A.

via P. Togliatti, 1555
47025 Cella di Mercato Saraceno FC - Italy

ph: +39 0547 96567
fax: +39 0547 96526

nemo@nemoindustrie.com
www.nemoindustrie.com