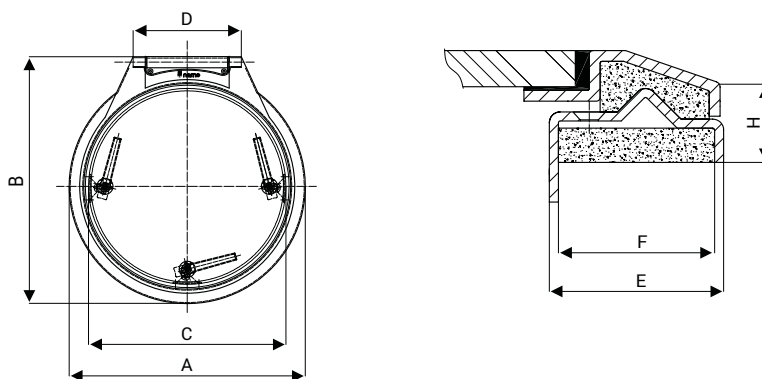


## >> Stainless Steel Hatch - round. Technical data.



### ROUND HATCH

HATCH CODE	OVERALL DIMENSIONS	CUT-OUT SIZE	CLEAR GLASS SIZE
	A x B	C	
218.011	363 x 388	285	279
218.012	585 x 618	495	489
218.013	685 x 718	595	589

HATCH CODE	DECK THICKNESS	HINGE WIDTH	PLEXIGLASS COLOUR	DIMENSIONS
	H	D		E - F
218.011	19	170	Smoke grey	42 - 37
218.012	19	268	Smoke grey	48 - 43
218.013	19	318	Smoke grey	48 - 43

### OPTIONALS

HATCH CODE	MOSQUITO NET CODE	DARKENING PANEL CODE	FINISHING FRAME CODE
218.011	601.180	602.180	600.180
218.012	601.193	602.193	600.193
218.013	601.113	602.113	600.113

**NEMO INDUSTRIE S.p.A.**

via P. Togliatti, 1555  
47025 Cella di Mercato Saraceno FC - Italy

ph: +39 0547 96567  
fax: +39 0547 96526

nemo@nemoindustrie.com  
[www.nemoindustrie.com](http://www.nemoindustrie.com)