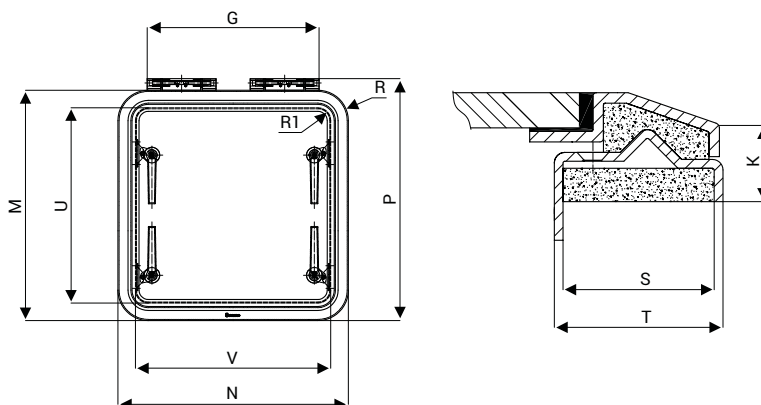


## >> Stainless Steel Hatch - rectangular or square. Technical data.



### RECTANGULAR OR SQUARE HATCHES

HATCH CODE	OVERALL DIMENSIONS			CUT-OUT SIZE		CLEAR GLASS SIZE	
	N	M	R	V	U		
218.305	541	411	78	450	320	445	315
218.310	591	461	78	500	370	495	365
218.315	591	591	78	500	500	495	495
218.320	711	711	78	620	620	615	615

HATCH CODE	ANGLE RADIUS	OVERALL DIMENSIONS	DECK THICKNESS	HINGE WIDTH	PLEXIGLASS COLOUR	DIMENSIONS
	R 1	P	K	G		T - S
218.305	32.5	440	19	176	Smoke grey	48 - 42
218.310	32.5	490	19	440	Smoke grey	48 - 42
218.315	32.5	620	19	440	Smoke grey	48 - 42
218.320	32.5	739	19	560	Smoke grey	48 - 42

### OPTIONALS

HATCH CODE	MOSQUITO NET CODE	DARKENING PANEL CODE	FINISHING FRAME CODE
218.305	601.210	602.210	600.210
218.310	601.220	602.220	600.220
218.315	601.230	602.230	600.230
218.320	601.240	602.240	600.240

**NEMO INDUSTRIE S.p.A.**

via P. Togliatti, 1555  
47025 Cella di Mercato Saraceno FC - Italy

ph: +39 0547 96567  
fax: +39 0547 96526

nemo@nemoindustrie.com  
[www.nemoindustrie.com](http://www.nemoindustrie.com)