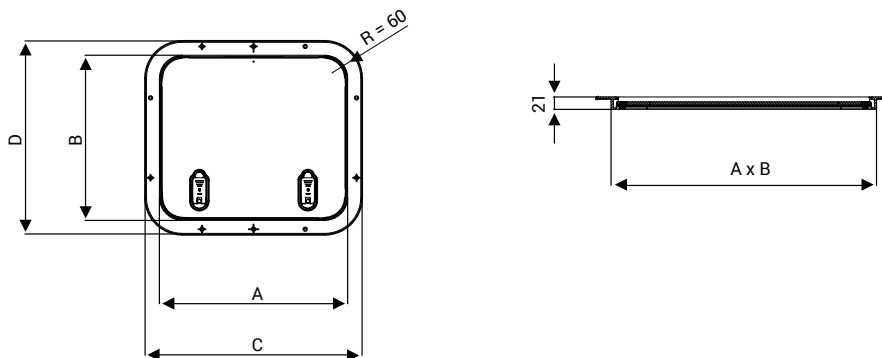


>> Non-hinged Hatch. Technical data.



NON-HINGED HATCH

NON-HINGED HATCH CODE	CUT-OUT SIZE			OVERALL DIMENSIONS	
	A	B	R	C	D
218.500	306	206	60	356	256
218.501	446	393	60	496	443
218.502	537	286	60	587	336
218.503	647	647	60	697	697
218.504	600	600	60	650	650
218.505	700	500	60	750	550

N.B. The CUT-OUT AxB dimensions refer to the hatch, please consider 2.5 mm extra on both the height and length side when cutting out the opening on the deck.