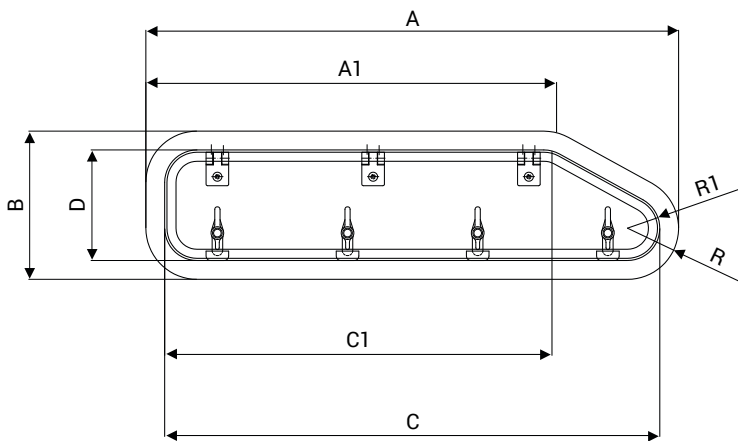
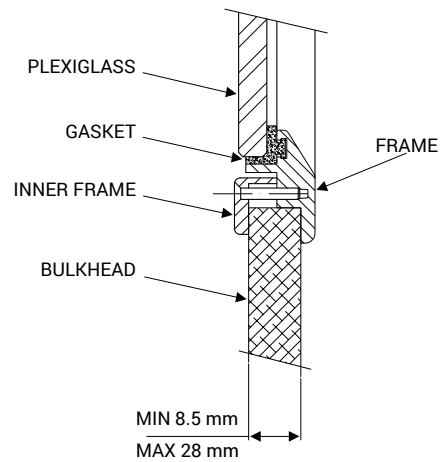


>> “New Classic” series aluminium portlight trapezoidal opening window. Technical data.



PORTHOLE SECTION



TRAPEZOIDAL OPENING PORTLIGHT

PORTLIGHT CODE	OVERALL DIMENSIONS				CUT-OUT SIZE				CLEAR GLASS SIZE			INNER FRAME DEPENDING ON BULKHEAD THICKNESS	
	A	A1	B	R	C	C1	D	R1				CODE	THICKNESS mm
218.142/D	710	550	195	64.5	685	525	175	52	630	510	115	519.469DB 519.469D	8.5 to 19 19 to 28
218.142/S	710	550	195	64.5	685	525	175	52	630	510	115	519.469SB 519.465S	8.5 to 19 19 to 28

OPTIONALS

PORTLIGHT CODE	MOSQUITO NET CODE	DARKENING PANEL CODE	FINISHING TRIM CODE
218.142/D	599.379/D	599.389/D	599.399/D
218.142/S	599.379/S	599.389/S	599.399/S

NEMO INDUSTRIE S.p.A.

via P. Togliatti, 1555
47025 Cella di Mercato Saraceno FC - Italy

ph: +39 0547 96567
fax: +39 0547 96526

nemo@nemoindustrie.com
www.nemoindustrie.com