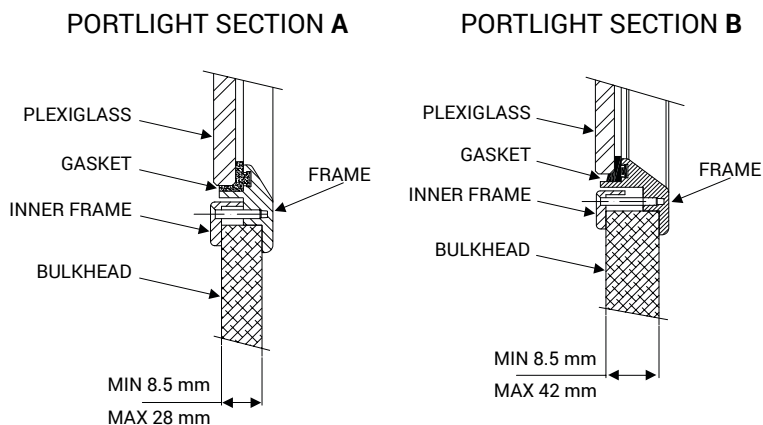
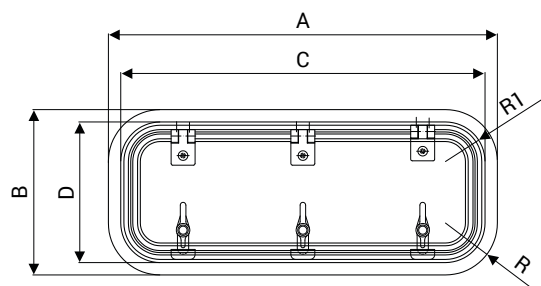


>> “New Classic” series aluminium portlight rectangular opening window.

Technical data.



RECTANGULAR OPENING PORTLIGHT

PORTLIGHT CODE	OVERALL DIMENSIONS			CUT-OUT SIZE			CLEAR GLASS SIZE		INNER FRAME DEPENDING ON BULKHEAD THICKNESS		DRAWING REF. PORTHOLE SECTION
	A	B	R	C	D	R1			CODE	THICKNESS mm	
218.130	485	205	73.5	460	180	61	405	125	519.462B 519.462	8.5 to 27 27 to 42	B
218.131	605	205	73.5	580	180	61	525	125	519.463B 519.463	8.5 to 27 27 to 42	B
218.144	325	180	64.5	300	155	52	245	100	519.464B 519.464	8.5 to 19 19 to 28	A
218.145	370	195	64.5	345	170	52	290	115	519.465B 519.465	8.5 to 19 19 to 28	A
218.146	430	180	64.5	405	155	52	350	100	519.466B 519.466	8.5 to 19 19 to 28	A
218.147	450	195	64.5	425	170	52	370	115	519.467B 519.467	8.5 to 19 19 to 28	A
218.149	650	195	64.5	625	170	52	570	115	519.468B 519.468	8.5 to 19 19 to 28	A

OPTIONALS

PORTLIGHT CODE	MOSQUITO NET CODE	DARKENING PANEL CODE	FINISHING FRAME CODE
218.130	599.372	599.382	599.392
218.131	599.373	599.383	599.393
218.144	599.374	599.384	599.394
218.145	599.375	599.385	599.395
218.146	599.376	599.386	599.396
218.147	599.377	599.387	599.397
218.149	599.378	599.388	599.398

NEMO INDUSTRIE S.p.A.

via P. Togliatti, 1555
47025 Cella di Mercato Saraceno FC - Italy

ph: +39 0547 96567
fax: +39 0547 96526

nemo@nemoindustrie.com
www.nemoindustrie.com