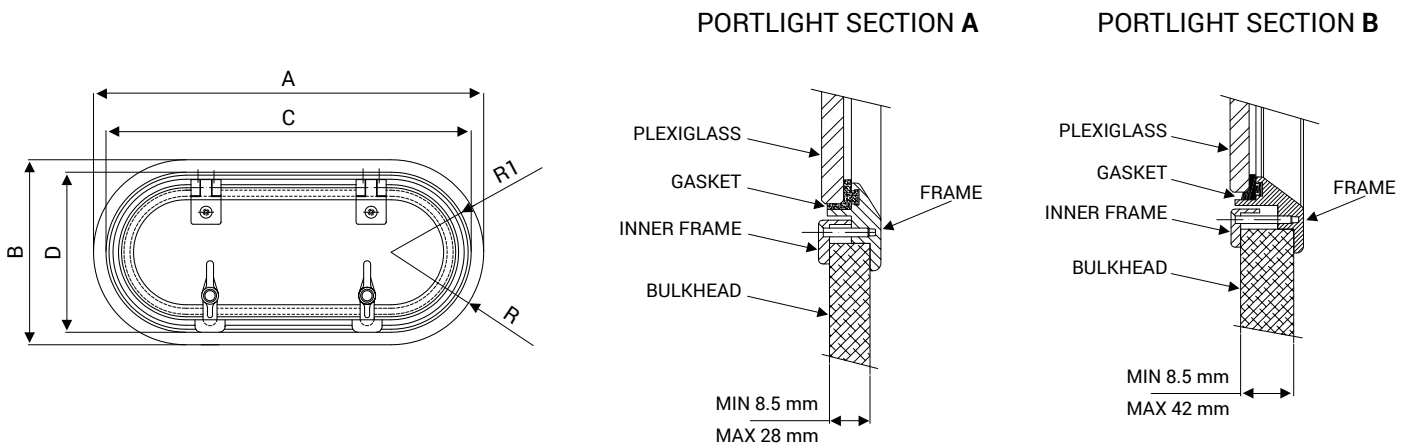


>> “New Classic” series aluminium portlight oval opening window. Technical data.



OVAL OPENING PORTLIGHT

| PORTLIGHT CODE | OVERALL DIMENSIONS | | | CUT-OUT SIZE | | | CLEAR GLASS SIZE | | INNER FRAME DEPENDING ON BULKHEAD THICKNESS | | DRAWING REF. PORTHOLE SECTION |
|----------------|--------------------|-----|------|--------------|-----|------|------------------|-----|---|-----------------------|-------------------------------|
| | A | B | R | C | D | R1 | | | CODE | THICKNESS mm | |
| 218.148 | 395 | 190 | 95 | 370 | 165 | 82.5 | 315 | 110 | 519.461/B 519.461 | 8.5 to 27 27 to 42 | B |
| 218.141 | 390 | 155 | 77.5 | 365 | 130 | 65 | 310 | 75 | 519.459/B 519.459 | 8.5 to 19 19 to 28 | A |
| 218.143 | 390 | 185 | 92.5 | 365 | 160 | 80 | 310 | 105 | 519.460/B 519.460 | 8.5 to 19 19 to 28 | A |

OPTIONALS

| PORTLIGHT CODE | MOSQUITO NET CODE | DARKENING PANEL CODE | FINISHING FRAME CODE |
|----------------|-------------------|----------------------|----------------------|
| 218.148 | 599.370/S | 599.380/S | 599.390/S |
| 218.141 | 599.371 | 599.381 | 599.391 |
| 218.143 | 599.370 | 599.380 | 599.390 |

NEMO INDUSTRIE S.p.A.

via P. Togliatti, 1555
47025 Cella di Mercato Saraceno FC - Italy

ph: +39 0547 96567
fax: +39 0547 96526

nemo@nemoindustrie.com
www.nemoindustrie.com