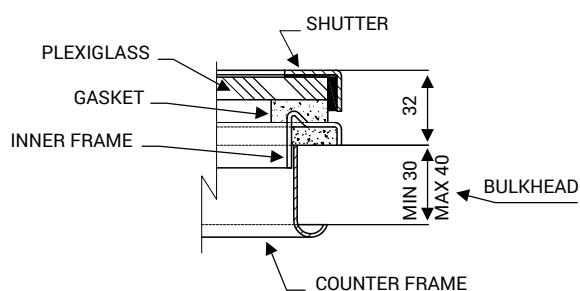
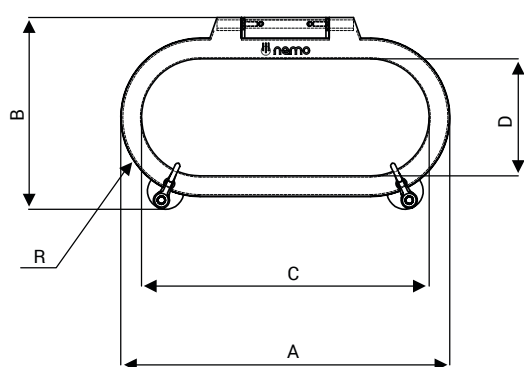


>> “Light” series Stainless Steel Portlight oval opening window. Technical data.



OVAL OPENING PORTLIGHT

PORTLIGHT CODE	OVERALL DIMENSIONS			CUT-OUT SIZE		CLEAR GLASS SIZE	
	A	B	R	C	D		
219.750	405	234.5	97.5	366	156	357	147
219.755	452	290	126.5	412	213	404	205
219.760	465	314	137.5	426	236	417	227
219.765	598	354	149	557	259	550	250
219.770	478	248	99	437	157	430	150

OPTIONALS

PORTLIGHT CODE	MOSQUITO NET CODE	DARKENING PANEL CODE	STORM COVER CODE
219.750	599.363	599.364	519.181
219.755	599.365	599.366	519.190
219.760	599.367	599.368	519.182
219.765	599.405	599.406	519.185
219.770	599.414	599.407	519.988

Portlights are supplied complete with standard outer frame for 30 to 40 mm bulkhead thickness; customised outer frames for other bulkhead thicknesses should be ordered directly from Nemo.

NEMO INDUSTRIE S.p.A.

via P. Togliatti, 1555
47025 Cella di Mercato Saraceno FC - Italy

ph: +39 0547 96567
fax: +39 0547 96526

nemo@nemoindustrie.com
www.nemoindustrie.com