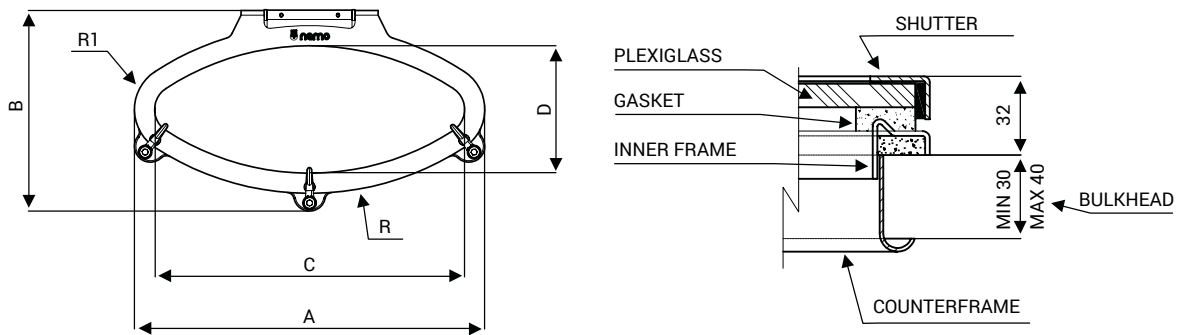


>> “Light” series Stainless Steel Portlight elliptical opening window. Technical data.



ELLIPTICAL OPENING PORTLIGHT

PORTLIGHT CODE	OVERALL DIMENSIONS				CUT-OUT SIZE		CLEAR GLASS SIZE	
	A	B	R	R1	C	D		
219.960	495	284	399	64	455	197	447	189

OPTIONALS

PORTLIGHT CODE	MOSQUITO NET CODE	DARKENING PANEL CODE	STORM COVER CODE
219.960	599.412	599.413	519.187

Portlights are supplied complete with standard outer frame for 30 to 40 mm bulkhead thickness; customised outer frames for other bulkhead thicknesses should be ordered directly from Nemo.

NEMO INDUSTRIE S.p.A.

via P. Togliatti, 1555
47025 Cella di Mercato Saraceno FC - Italy

ph: +39 0547 96567
fax: +39 0547 96526

nemo@nemoindustrie.com
www.nemoindustrie.com