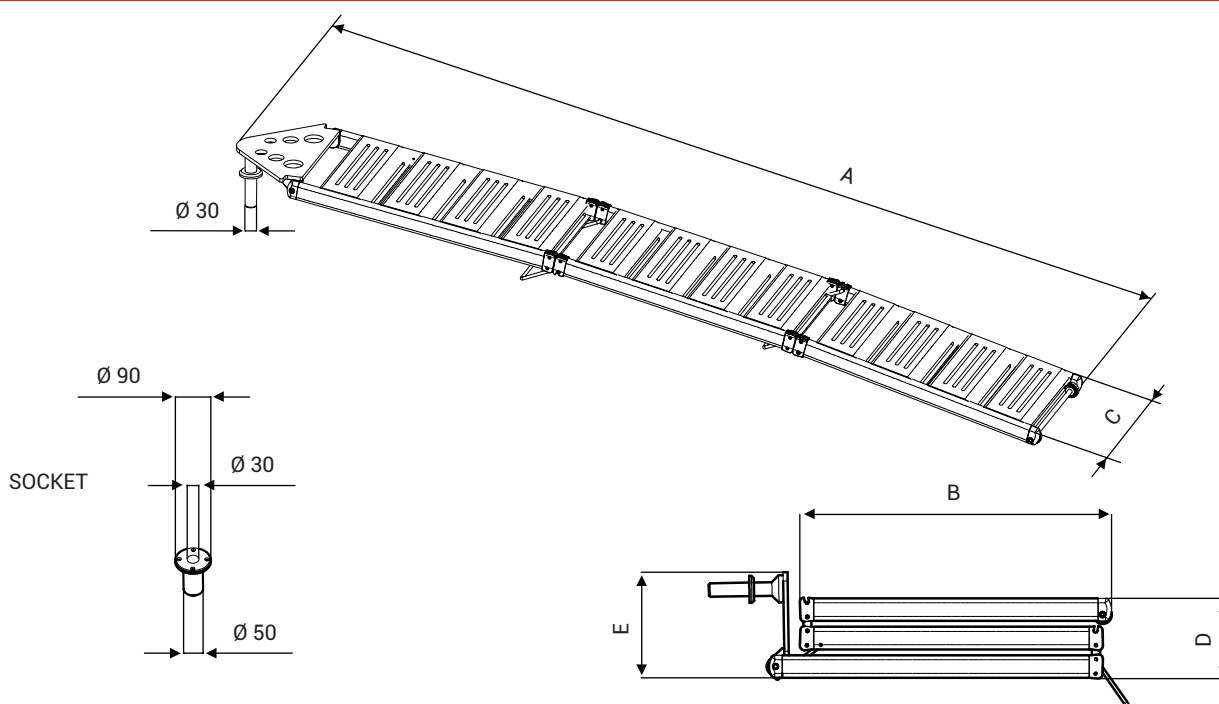


## >> Folding Gangway/Ladder. Technical data.



### FOLDING GANGWAY/LADDER

GANGWAY CODE	OPEN GANGWAY LENGTH	CLOSED GANGWAY LENGTH	GANGWAY WIDTH	CLOSED GANGWAY OVERALL THICKNESS (PLATFORM NOT INCLUDED)	CLOSED GANGWAY OVERALL THICKNESS (PLATFORM INCLUDED)	WEIGHT	MAX LOAD CAPACITY
	A	B	C	D	E	kg	kg
931.600	2000	650	370	170	235	16	130
931.650	2500	850	370	170	235	18	130

### OPTIONALS

OPTIONAL CODE	DESCRIPTION
299.052	Balance gear
950.160	Stainless steel bathing extension
299.330	Stainless steel support for forward-rakes transom
299.332	Stainless steel support for vertical transom

NEMO INDUSTRIE S.p.A.

via P. Togliatti, 1555  
47025 Cella di Mercato Saraceno FC - Italy

ph: +39 0547 96567  
fax: +39 0547 96526

nemo@nemoindustrie.com  
www.nemoindustrie.com