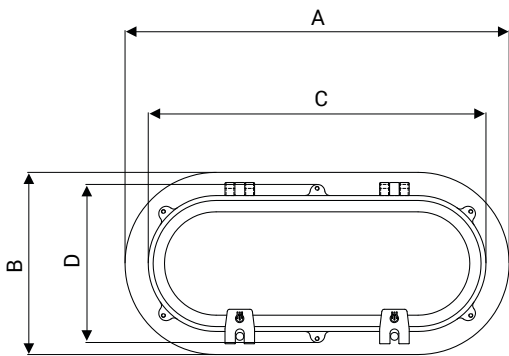
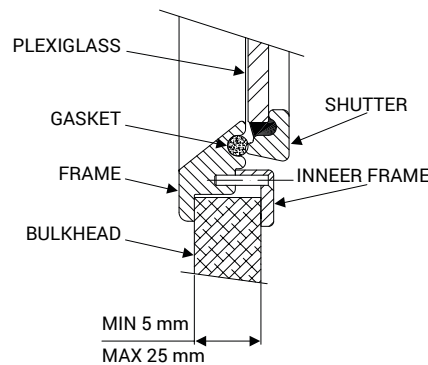


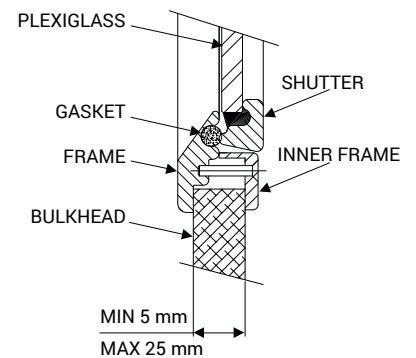
>> "2000" series aluminium portlight - oval opening window. Technical data.



PORTLIGHT SECTION A



PORTLIGHT SECTION B



OVAL OPENING PORTLIGHT

PORTLIGHT CODE	OVERALL DIMENSIONS		CUT-OUT SIZE		CLEAR GLASS SIZE		INNER FRAME DEPENDING ON BULKHEAD THICKNESS		DRAWING REF. PORTHOLE SECTION
	A	B	C	D			CODE	THICKNESS mm	
218.083	400	200	380	180	310	110	519.446 519.437	5 to 15 15 to 25	B
218.088	400	200	380	180	310	110	519.446 519.436	5 to 15 15 to 25	A
218.089	490	200	470	180	400	110	519.458 519.452	5 to 15 15 to 25	A

OPTIONALS

PORTLIGHT CODE	MOSQUITO NET CODE	DARKENING PANEL CODE
218.083	599.350	599.351
218.088	599.350	599.351
218.089	599.357	599.358

NEMO INDUSTRIE S.p.A.

via P. Togliatti, 1555
47025 Cella di Mercato Saraceno FC - Italy

ph: +39 0547 96567
fax: +39 0547 96526

nemo@nemoindustrie.com
www.nemoindustrie.com