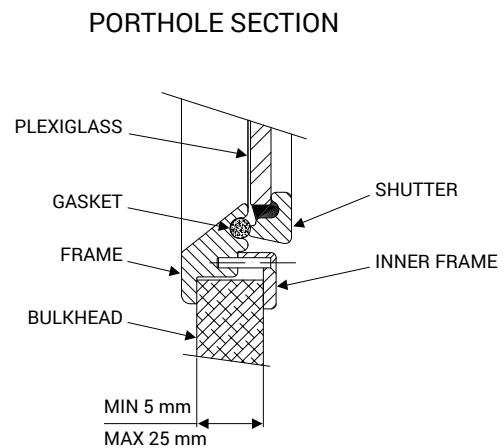
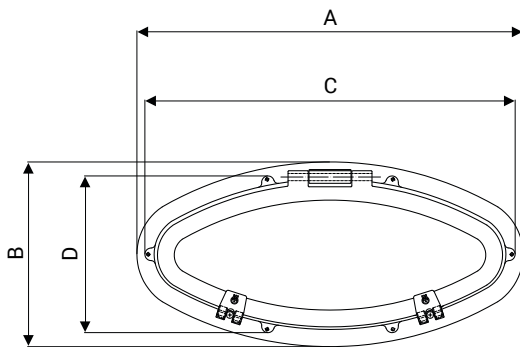


>> "2000" series aluminium portlight - elliptical opening window. Technical data.



ELLIPTICAL OPENING PORTLIGHT

| PORTLIGHT CODE | OVERALL DIMENSIONS | | CUT-OUT SIZE | | CLEAR GLASS SIZE | | INNER FRAME DEPENDING ON BULKHEAD THICKNESS | |
|----------------|--------------------|-----|--------------|-----|------------------|-----|---|---------------------|
| | A | B | C | D | | | CODE | THICKNESS mm |
| 218.087 | 400 | 200 | 380 | 180 | 310 | 110 | 519.445 519.435 | 5 to 15 15 to 25 |
| 218.091 | 460 | 220 | 440 | 200 | 370 | 130 | 519.453 519.457 | 5 to 15 15 to 25 |

OPTIONALS

| PORTLIGHT CODE | MOSQUITO NET CODE | DARKENING PANEL CODE |
|----------------|-------------------|----------------------|
| 218.087 | 599.355 | 599.356 |
| 218.091 | 599.359 | 599.360 |

NEMO INDUSTRIE S.p.A.

via P. Togliatti, 1555
47025 Cella di Mercato Saraceno FC - Italy

ph: +39 0547 96567
fax: +39 0547 96526

nemo@nemoindustrie.com
www.nemoindustrie.com