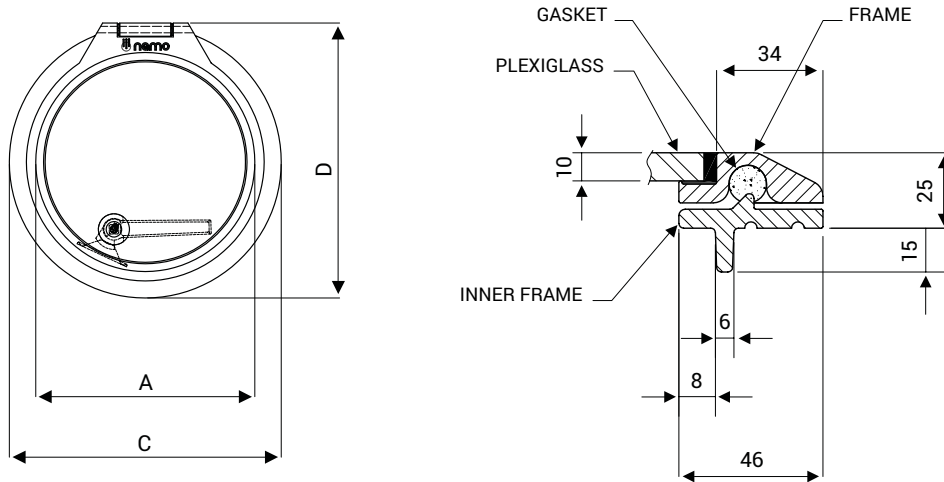


## >> "2000" series Aluminium Hatch - round. Technical data.



### ROUND HATCH

HATCH CODE	CUT-OUT SIZE	OVERALL DIMENSIONS	INTERNAL DIMENSIONS
	A	C x D	
218.180	Ø 286	350 x 354	Ø 258
218.193	Ø 496	560 x 573	Ø 470

**N.B.** The CUT- OUT A x B dimensions refer to the hatch, please consider 2.5 mm extra on both the height and length side when cutting out the opening on the deck.

### OPTIONALS

HATCH CODE	MOSQUITO NET CODE	DARKENING PANEL CODE	FINISHING FRAME CODE
218.180	601.180	602.180	600.180
218.193	601.193	602.193	600.193

**NEMO INDUSTRIE S.p.A.**

via P. Togliatti, 1555  
47025 Cella di Mercato Saraceno FC - Italy

ph: +39 0547 96567  
fax: +39 0547 96526

nemo@nemoindustrie.com  
[www.nemoindustrie.com](http://www.nemoindustrie.com)