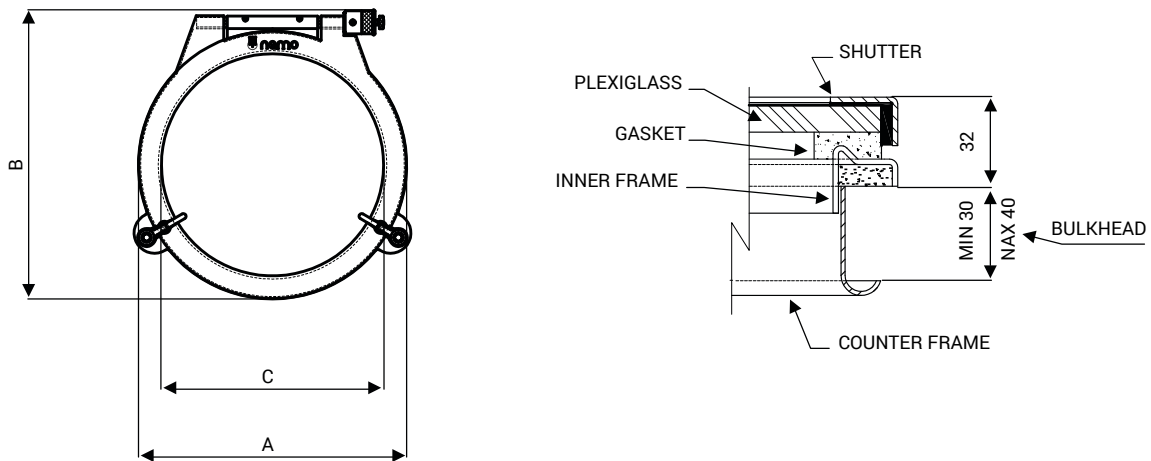


## >> Stainless Steel Portlight - round opening window. Technical data.



### ROUND OPENING PORTLIGHT

PORTLIGHT CODE	OVERALL DIMENSIONS		CUT-OUT SIZE	CLEAR GLASS SIZE
	A	B		
218.848	192	243	154	144
218.849	250	275	211	202
218.850	297	319	257	249
218.855	347	396	307	299

### OPTIONALS

PORTLIGHT CODE	MOSQUITO NET CODE	STAINLESS STEEL MOSQUITO NET CODE	DARKENING PANEL CODE	STORM COVER CODE
218.848	599.415	-	599.416	519.186
218.849	599.418	599.463	599.430	519.989
218.850	599.401	599.462	599.402	519.180
218.855	599.403	599.459	599.404	519.183

Portlights are supplied complete with standard outer frame for 30 to 40 mm bulkhead thickness; customised outer frames for other bulkhead thicknesses should be ordered directly from Nemo.

#### NEMO INDUSTRIE S.p.A.

via P. Togliatti, 1555  
47025 Cella di Mercato Saraceno FC - Italy

ph: +39 0547 96567  
fax: +39 0547 96526

nemo@nemoindustrie.com  
[www.nemoindustrie.com](http://www.nemoindustrie.com)