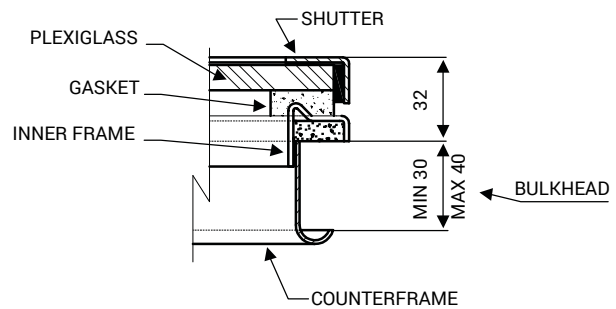
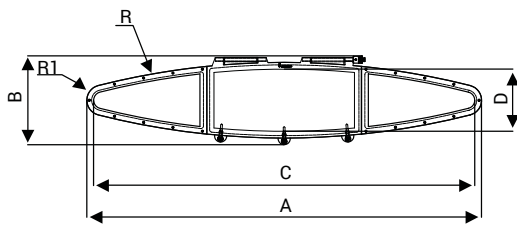


## >> Stainless Steel Portlight - elliptical opening window. Technical data.



### ELLIPTICAL OPENING PORTLIGHT

PORTLIGHT CODE	OVERALL DIMENSIONS				CUT-OUT SIZE		CLEAR GLASS SIZE		OPENING DIMENSIONS
	A	B	R	R1	C	D			
218.965	1248	300	2436.5	56	1208	210	1200	202	500
218.970	1458	327	2802	56	1418	240	1410	232	570
218.973	1663	337	3475	56	1622	252	1615	243	658
218.975	1900	297	5905	56	1861	210	1851	201	798

### OPTIONALS

PORTLIGHT CODE	MOSQUITO NET CODE	DARKENING PANEL CODE	STORM COVER CODE
218.965	599.408	599.409	-
218.970	599.410	599.411	-
218.973	599.420	599.421	-
218.975	599.417	599.419	-

Portlights are supplied complete with standard outer frame for 30 to 40 mm bulkhead thickness; customised outer frames for other bulkhead thicknesses should be ordered directly from Nemo.

#### NEMO INDUSTRIE S.p.A.

via P. Togliatti, 1555  
47025 Cella di Mercato Saraceno FC - Italy

ph: +39 0547 96567  
fax: +39 0547 96526

nemo@nemoindustrie.com  
[www.nemoindustrie.com](http://www.nemoindustrie.com)