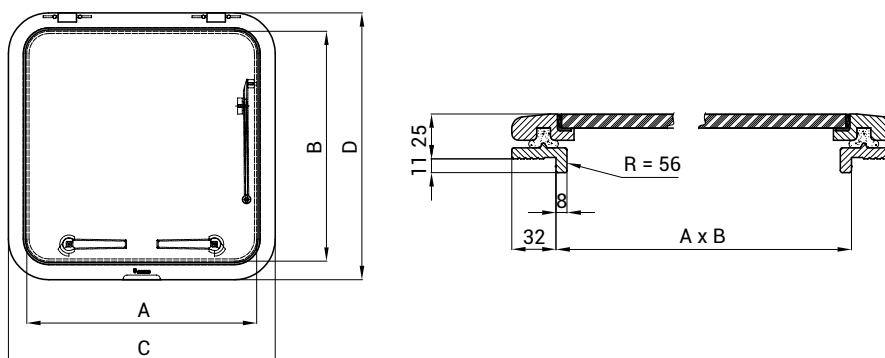


>> "Slim Line" series Aluminium Hatch. Technical data.



HATCH

HATCH CODE	CUT-OUT SIZE	OVERALL DIMENSIONS	PLEXIGLASS THICKNESS
	A x B	C x D	
218.018	340 x 195	404 x 259	10
218.115	450 x 320	514 x 384	10
218.105	515 x 415	579 x 479	10
218.100	515 x 515	579 x 579	10
218.155	605 x 605	669 x 669	12

N.B. The CUT-OUT A x B dimensions refer to the hatch, please consider 2.5 mm extra on both the height and length side when cutting out the opening on the deck.

OPTIONALS

HATCH CODE	MOSQUITO NET CODE	DARKENING PANEL CODE	FINISHING FRAME CODE
218.018	601.018	602.018	600.018
218.115	601.115	602.115	600.115
218.105	601.105	602.105	600.105
218.100	601.100	602.100	600.100
218.155	601.155	602.155	600.155

NEMO INDUSTRIE S.p.A.

via P. Togliatti, 1555
47025 Cella di Mercato Saraceno FC - Italy

ph: +39 0547 96567
fax: +39 0547 96526

nemo@nemoindustrie.com
www.nemoindustrie.com