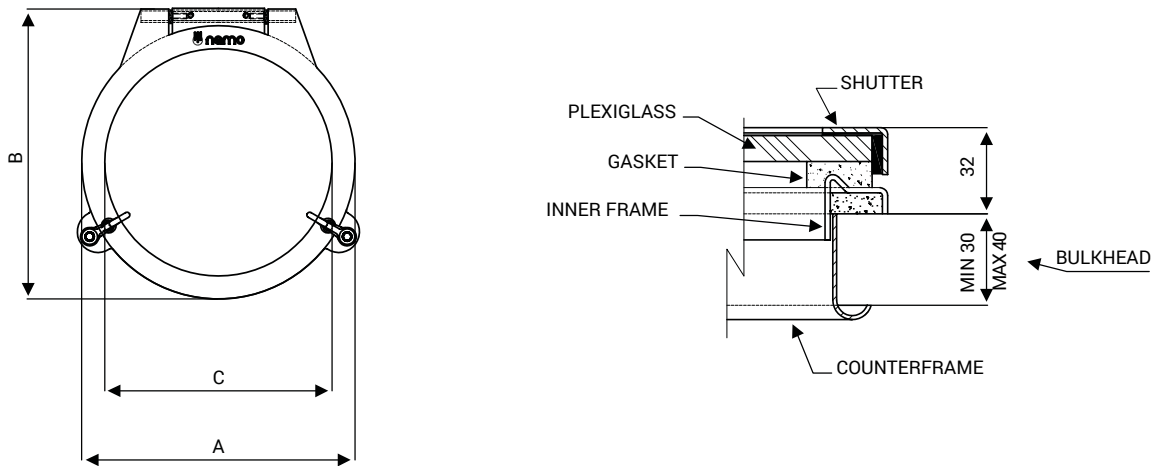


>> “Light” series Stainless Steel Portlight round opening window. Technical data.



ROUND OPENING PORTLIGHT

PORTLIGHT CODE	OVERALL DIMENSIONS		CUT-OUT SIZE	CLEAR GLASS SIZE
	A	B		
219.848	192	236.5	154	144
219.849	250	267.5	211	202
219.850	297	315.5	257	249
219.855	347	390.5	307	299

OPTIONALS

PORTLIGHT CODE	ABS MOSQUITO NET CODE	STAINLESS STEEL MOSQUITO NET CODE	DARKENING PANEL CODE	STORM COVER CODE
219.848	599.415	-	599.416	519.186
219.849	599.418	599.463	599.430	519.989
219.850	599.401	599.462	599.402	519.180
219.855	599.403	599.459	599.404	519.183

Portlights are supplied complete with standard outer frame for 30 to 40 mm bulkhead thickness; customised outer frames for other bulkhead thicknesses should be ordered directly from Nemo

NEMO INDUSTRIE S.p.A.

via P. Togliatti, 1555
47025 Cella di Mercato Saraceno FC - Italy

ph: +39 0547 96567
fax: +39 0547 96526

nemo@nemoindustrie.com
www.nemoindustrie.com