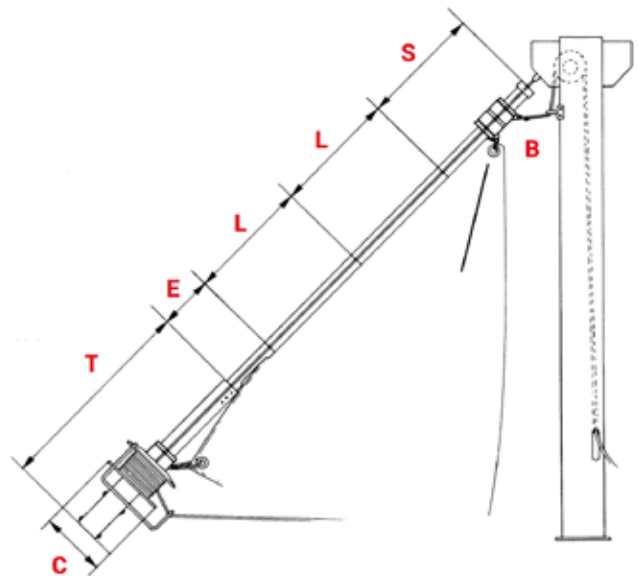


## >> KR Jib Furler. Technical data.

Each set includes:

- winding drum x 1 pc ( **T** )
- swivelling head x 1 pc ( **B** )
- sail feeder x 1 pc ( **E** )
- top section x 1 pc ( **S** )
- intermediate section: no. of pieces to be calculated according to the length of your stay, taking into account the measurements in the table below ( **L** )
- fittings
- Halyard block



### >> KR JIB FURLER

JIB FURLER KIT	WINDING DRUM		SAIL FEEDER		TOP SECTION		INTERMEDIATE SECTION		SWIVELLING HEAD	
	CODE	CODE	T = mm	C = mm	CODE	E = mm	CODE	S = mm		CODE
280.450	280.305	370	120	280.321	945	280.323	1500	513.722	1500	280.309

**NEMO INDUSTRIE S.p.A.**

via P. Togliatti, 1555  
47025 Cella di Mercato Saraceno FC - Italy

ph: +39 0547 96567  
fax: +39 0547 96526

nemo@nemoindustrie.com  
[www.nemoindustrie.com](http://www.nemoindustrie.com)