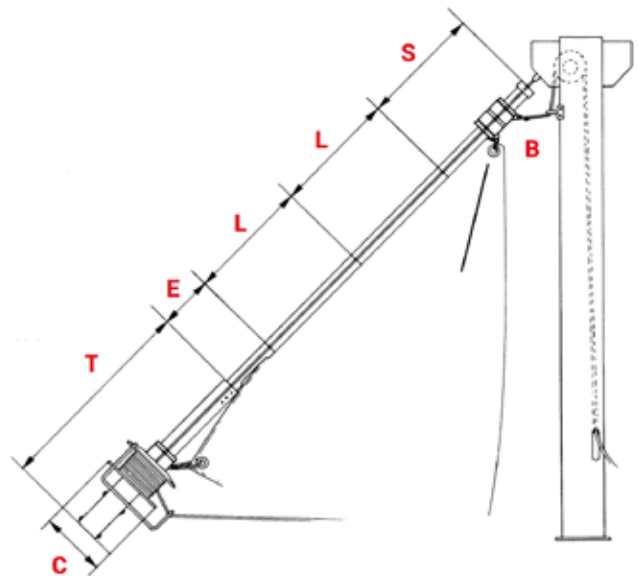


>> CR Jib Furler. Technical data.

Each set includes:

- winding drum x 1 pc (**T**)
- swivelling head x 1 pc (**B**)
- sail feeder x 1 pc (**E**)
- top section x 1 pc (**S**)
- intermediate section: no. of pieces to be calculated according to the length of your stay, taking into account the measurements in the table below (**L**)
- fittings
- Halyard block



CR JIB FURLER

JIB FURLER KIT	WINDING DRUM		SAIL FEEDER		TOP SECTION		INTERMEDIATE SECTION		SWIVELLING HEAD	
	CODE	CODE	T = mm	C = mm	CODE	E = mm	CODE	S = mm		CODE
280.410	280.301	685	210	280.324	920	280.326	1500	513.725	1500	280.306

NEMO INDUSTRIE S.p.A.

via P. Togliatti, 1555
47025 Cella di Mercato Saraceno FC - Italy

ph: +39 0547 96567
fax: +39 0547 96526

nemo@nemoindustrie.com
www.nemoindustrie.com