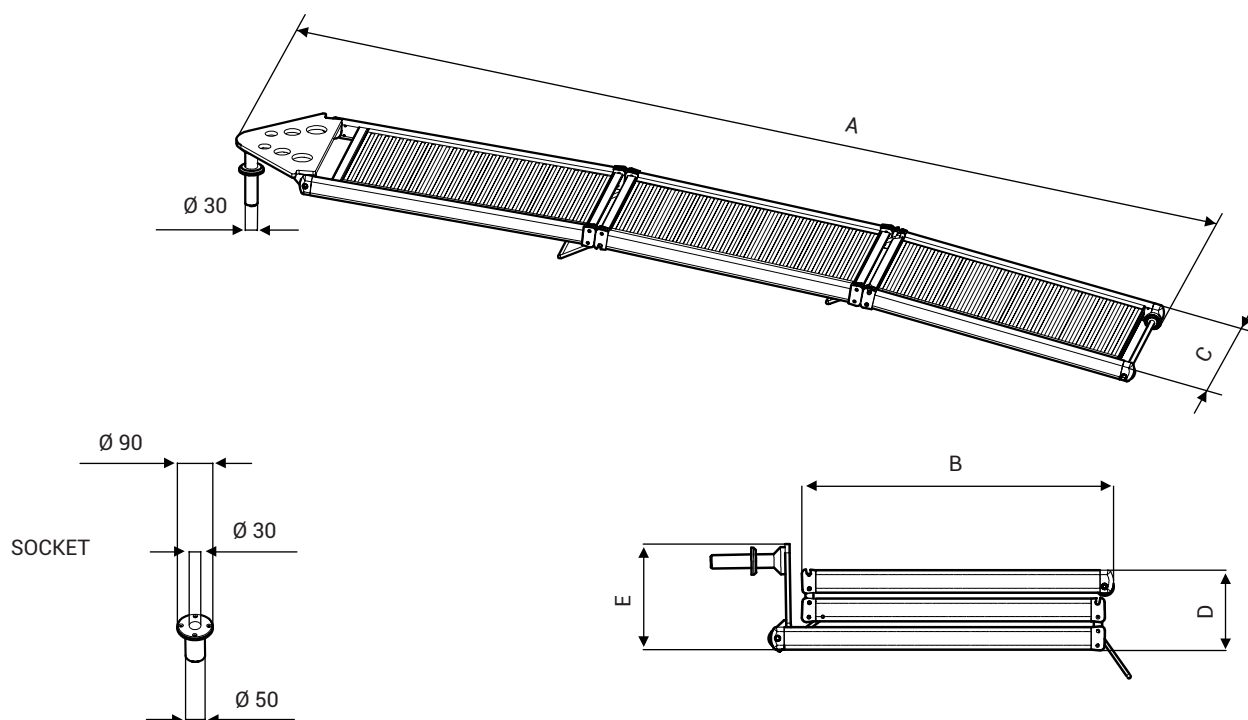


>> Aluminium Folding Gangway. Technical data.



FOLDING GANGWAY

GANGWAY CODE	OPEN GANGWAY LENGTH	CLOSED GANGWAY LENGTH	GANGWAY WIDTH	CLOSED GANGWAY OVERALL THICKNESS (PLATFORM NOT INCLUDED)	CLOSED GANGWAY OVERALL THICKNESS (PLATFORM INCLUDED)	WEIGHT	MAX LOAD CAPACITY
	A	B	C	D	E	kg	kg
931.601	2300	690	370	175	235	18	130

OPTIONALS

OPTIONAL CODE	DESCRIPTION
299.052	Balance gear
299.330	Stainless steel support for forward-raked transom
299.332	Stainless steel support for vertical transom

NEMO INDUSTRIE S.p.A.

via P. Togliatti, 1555
47025 Cella di Mercato Saraceno FC - Italy

ph: +39 0547 96567
fax: +39 0547 96526

nemo@nemoindustrie.com
www.nemoindustrie.com