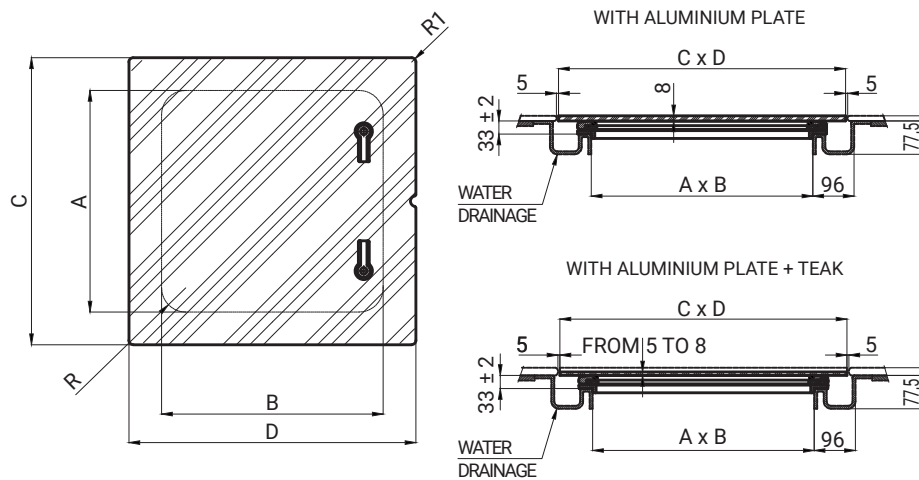


>> Aluminium Flush Deck Hatch. Technical data.



WATER DRAINAGE NOT INCLUDED (CONTACT US FOR TECHNICAL INFORMATION)

FLUSH-DECK ALUMINIUM HATCH

HATCH CODE	CUT-OUT SIZE			OVERALL DIMENSIONS		
	A	B	R	C	D	R1
218.400	450	320	56	602	472	5
218.401	515	415	56	667	567	5
218.402	515	515	56	667	667	5
218.403	605	605	56	757	757	5

N.B. The CUT-OUT A x B dimensions refer to the hatch, please consider 2.5 mm extra on both the height and length side when cutting out the opening on the deck.

HANDLE TYPE

FLUSH-DECK TYPE	INTERNAL HANDLES	EXTERNAL HANDLES
"with aluminium plate"	Delrin handle • Inox handle Aluminium handle	Not flush delrin mushroom Flush inox mushroom
"with aluminium plate + teak"	Delrin handle • Inox handle Aluminium handle	Flush inox mushroom Fold-down inox eyebolt

NEMO INDUSTRIE S.p.A.

via P. Togliatti, 1555
47025 Cella di Mercato Saraceno FC - Italy

ph: +39 0547 96567
fax: +39 0547 96526

nemo@nemoindustrie.com
www.nemoindustrie.com