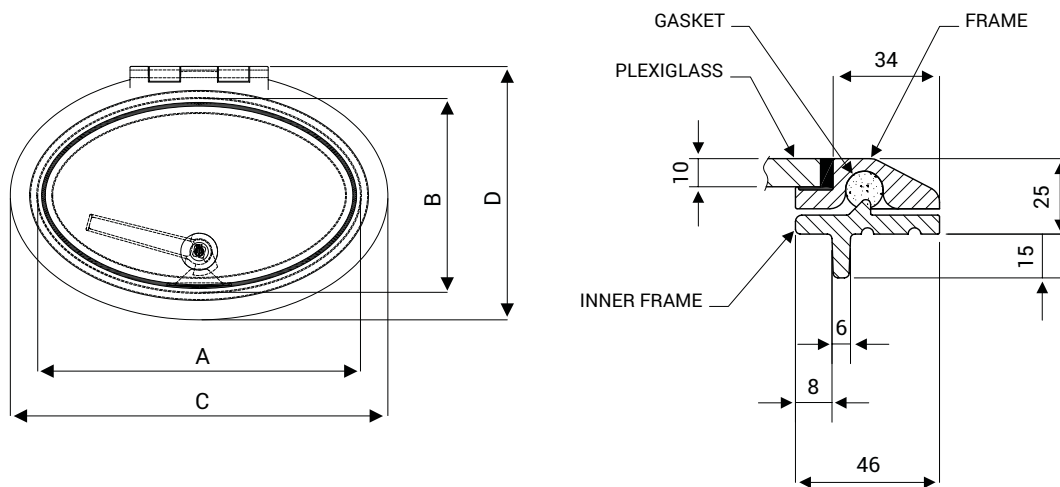


>> **“2000” series Aluminium Hatch - oval.**
Technical data.



OVAL HATCH

| HATCH CODE | CUT-OUT SIZE | OVERALL DIMENSIONS | INTERNAL DIMENSIONS |
|------------|--------------|--------------------|---------------------|
| | A x B | C x D | |
| 218.090 | 353 x 213 | 410 x 275 | 318 x 178 |

N.B. The CUT-OUT A x B dimensions refer to the hatch, please consider 2.5 mm extra on both the height and length side when cutting out the opening on the deck.